

Neoclássico Embedded Round | Neoclássico Rond Integré – 163ZYXX2

Specifications | Spécifications



| | |
|---|---|
| Material Matériel | Vitreous China |
| Application Application | Standing A Poser |
| Sink Position Positionnement de l'évier | Centered Centré |
| Glazed Surfaces Surfaces vitrées | Visible Visibles Entirely Toutes |
| | Y 7 N.A. |

163ZYXX2

[Colours](#) | [Couleurs](#)



Warranty

Garantie



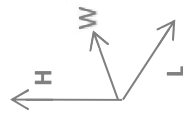
Other technical features

Autres caractéristiques techniques:



Dimensions | Dimensions (mm)

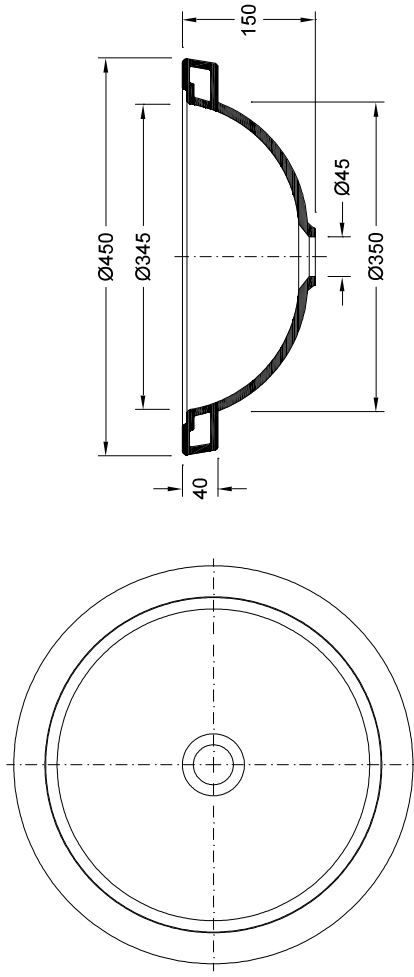
| | |
|----|-------|
| Z | 8 |
| W | Ø 450 |
| KG | 7 |
| L | Ø 450 |
| H | 150 |



Components | Composants

| | |
|----------|---|
| Inclus | Z - 8 |
| Required | Pedestal (if applicable - check) Colonne (le cas échéant - consulter) Tap Robinet Discharge valve Bonde d'évacuation Siphon Siphon |

Technical Drawing | Dessin technique



Recommendations | Recommandations!

| Material / Matériau | Type of product / Type de pièce | Detergents / Détergents | Cleaning kit / Matériel de nettoyage | Other Recommendations / Autres Recommandations |
|--|---------------------------------|--|--------------------------------------|--|
| Ceramics / Céramique | | Acid and basic weak / Neutral Soap / Acides et bases / Savons neutres / Acides et bases / Savons neutres X Abrasives / Abrasifs | X Cleaning Cloth / chiffon doux | X Not dropping objects / Éviter de faire tomber des objets X Weight on soft cover / Ne vous frottez pas sur la surface supérieure |
| Metallic / Métallique | | Acid and Basic / Acetone / Alcohol / Ammonia / Abrasives / Acides et bases / Acétone / Alcool / Ammoniac / Abrasifs | Abrasives / Abrasifs | X Effort on soft cover / Ne touchez pas la surface supérieure |
| Plastics / Resins / Plastiques / Résines | | Neutral Soap / Savon neutre | Cleaning Cloth / chiffon doux | X Attention / Attention |

- PT - Outras recomendações mais específicas podem acompanhar os produtos comercializados. Recomendamos que siga as recomendações e instruções indicadas.
 EN - Other particular recommendations can be attached complementarily with the traded products. We strongly advise you to follow the recommendations and instructions indicated.